



## Key Features

- Support GPS L1/L2, GLONASS L1/L2, BDS B1/B2/B3.
- High stability and high repeatability at phase center.
- Antenna with high gain (3.5dBi) can has a superior tracking performance at low elevation angle.
- Very low noise figure.
- GIS&RTK applications.
- Ground plane independent.
- Ultra light weight :37g.

## Helix Antenna HX-CH7603A

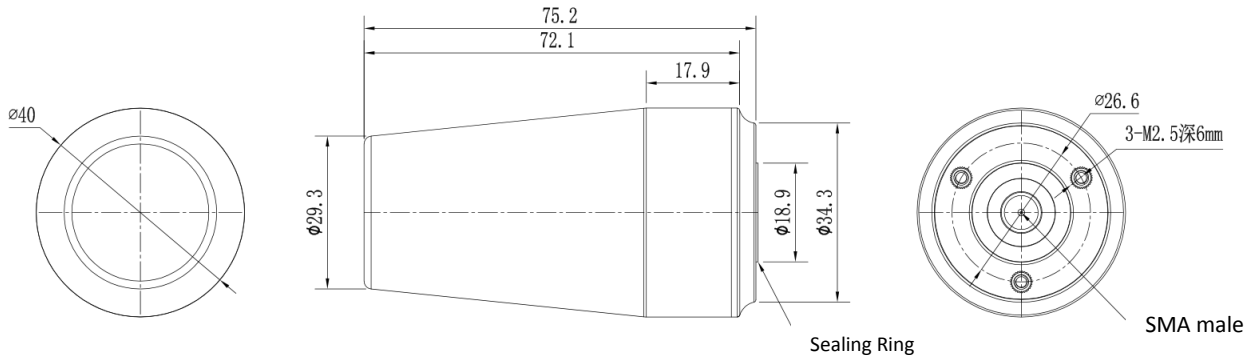
HX-CH7603A is a GPS L1/L2, GLONASS L1/L2 and BDS B1/B2/B3 Helix antenna, which is designed for UAV system and other mobile devices. It can be used in aerial photographs, telemetry technology, disaster monitoring, traffic patrol, security monitoring applications.

This Helix antenna has exceptional pattern control, polarization purity and high efficiency in a very compact form factor. Antenna element has high gain and wide beam width to ensure the signal receiving performance of satellite at low elevation angle. HX-CH7603A is equipped with an O-ring that makes the antenna waterproof grade can reach IP67 once installed on a mating surface.

# Technical Specifications

Antenna Specification	
Frequency Range	GPS L1/L2 GLONASS L1/L2 BDS B1/B2/B3
Impedance	50ohm
Polarization	RHCP
Axial Ratio	≤3dB
Azimuth Coverage	360°
Output VSWR	≤2.0
Peak Gain	3.5dBi
LNA Specification	
LNA Gain	33 ± 2dB

Noise Figure	≤2.0dB
Output VSWR	≤2.0
Operation Voltage	3.3~12VDC
Operation Current	≤55mA
Ripple	±2dB
Mechanical Specification	
Dimension	φ40*75.2mm
Connector	SMA male
Weight	37g
Environment Spec	
Storage /Operating Temp	-40°C~+70°C
Humidity	95% No-condensing



Top view

Side view

Bottom view

Dimension(mm)

## Harxon Corporation

[www.harxon.com](http://www.harxon.com) 
 ✉ [sales@harxon.com](mailto:sales@harxon.com)  
 Tel: +86 0755-26989948 Fax: +86 0755-26989994



HARXON AUTHORIZED DISTRIBUTION PARTNER